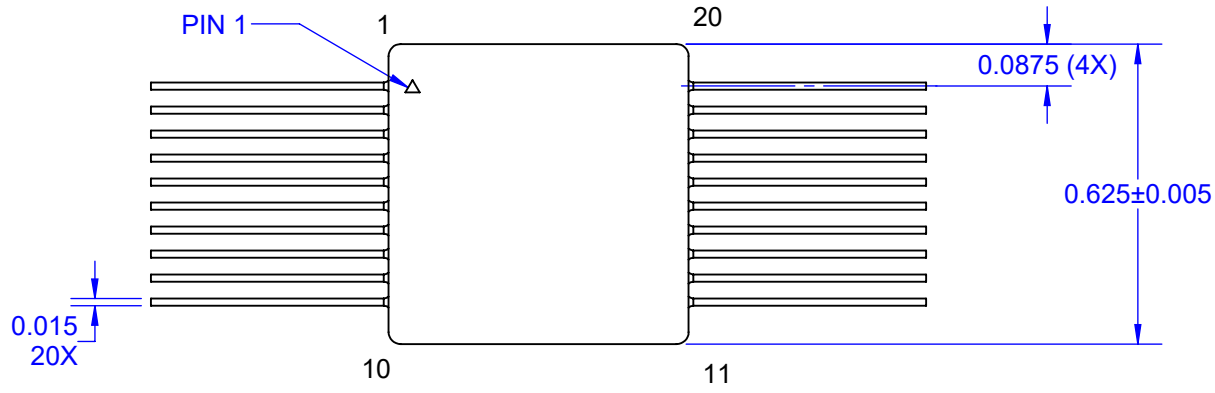
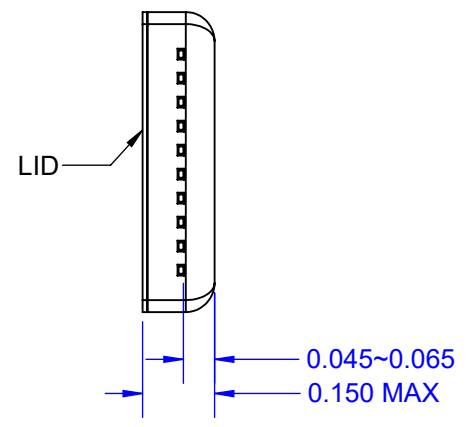


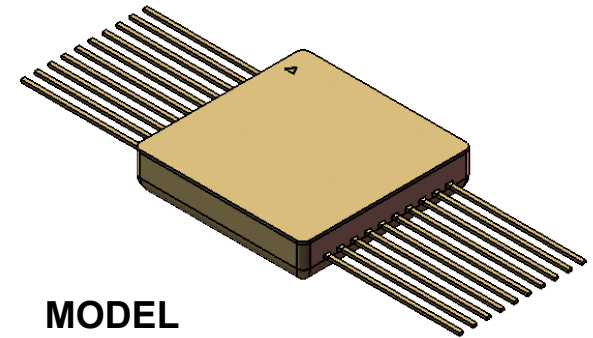
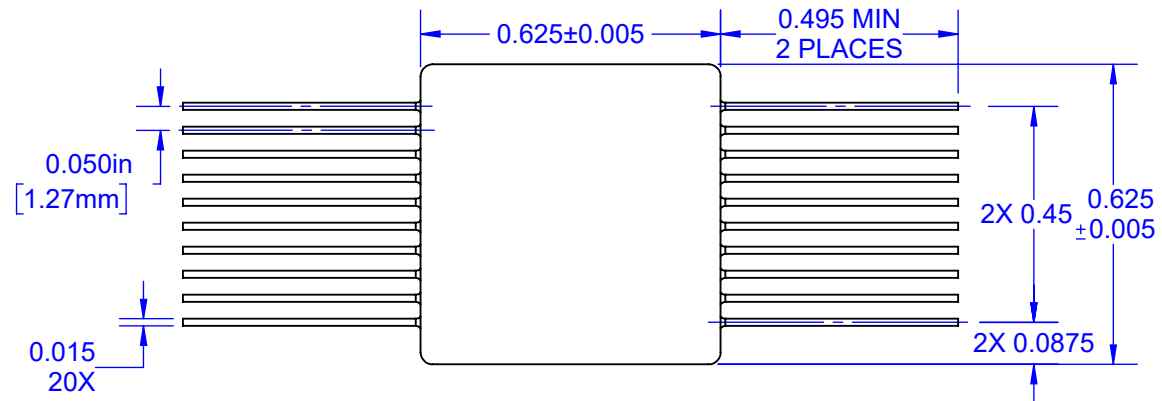
TOP VIEW



EDGE VIEW

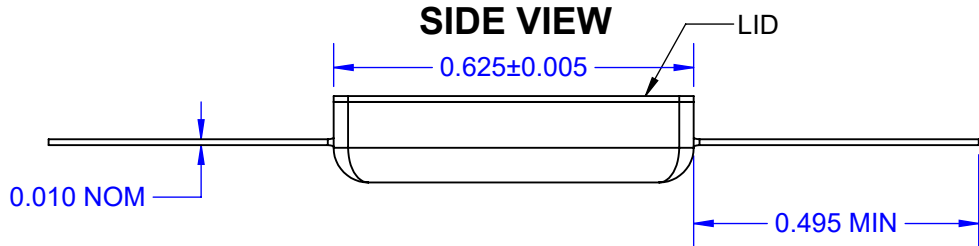


BOTTOM VIEW



MODEL

SIDE VIEW



Notes: (Unless Otherwise Specified).

- 1) DIMENSIONS: INCH (mm).
- 2) LEAD MATERIAL ALLOY 42 or KOVAR.
- 3) PACKAGING: CARRIER.

PART NUMBER TABLE

PART NUMBER	PLATING	OPTION
FP20C50SQ.62S	GOLD	STANDARD
FP20C50SQ.62S-SC	SnPb	OPTIONAL

APPROVALS	DATE				
DRAWN T. Au	07/08/2022				
ENG M. Hart	07/08/2022	TITLE FP20C50SQ.62S 20 PIN FLAT PACK			
MFG		SCALE	SIZE	DRAWING NO.	REV
QA		3.5:1	A	162020	A
CUST		DO NOT SCALE DRAWING			SHEET 1 OF 1
REVISED					